

CME-55



Mounted on the CME-300 Tracked Carrier

Remote Control...



for Remote Locations

The CME-55 just became even more versatile. It's now available mounted on our *new* remote controlled tracked carrier. The rugged planetary drives and triple walking beam suspension allow this machine to climb hills, traverse mud, sand, rocks, and snow...all while your operator's feet are planted firmly on the ground.

Of course the rubber tracks will not damage most pavement, so you can also use this rig anywhere you might use a truck mounted drill.

The beast of burden for this matchup is the new CME-300 tracked carrier. We designed it specifically for carrying drill rigs, so there are no compromises. It has the best center of gravity for both driving and drilling. And you won't find a more rugged carrier in its class.

Once you get to the site, the CME-55 can give you up to 9,800 foot pounds of torque and 28,275 pounds of retract. It's available with all the features you need to get the job done as efficiently as possible. Like in/out and sideways slide bases, angle drilling, automatic SPT hammer, auger racks, tool boxes and more.

The track mounted CME-55. Because some drill sites are more remote than others. For more information, give us a call at 1-800-325-8827.



Mounted on the CME-300 Tracked Carrier

Power

Cummins 4BT 239 cubic inch (3.9 L) 110 H.P. water-cooled 4 cylinder turbocharged diesel engine

Carrier

Track width17.7 in. (45 cm)
 Avg. ground bearing pressure4.4 psi (.309 kg/cm²)
 Suspensiontriple walking beams
 Turning radiusin place
 Drivehydraulic motor/planetary wheel drives
 Steeringremote radio controlled guidance
 Hydraulic front winch12,000 lb. (5,443 kg)
 Auger & rod racksstandard
 Tool boxesstandard

Gradeability

Straight-ahead climb50% grade
 Side-hill traverse36% grade

Rotary Drive

Clutch, heavy duty13 inch (33 cm)
 Transmission4 speed forward, 1 speed reverse
 Rotary torque (standard)7,843 foot pounds (10,634 Nm)
 Rotary torque (optional)9,800 foot pounds (10,634 Nm)
 Rotary speed (standard)591 rpm max
 Rotary speed (optional)788 rpm max

Hydraulic Feed System

Retract force28,275 pounds (12,826 Kg)
 Pulldown force18,650 pounds (8,460 Kg)
 Retract rate (max)35 feet (10.6 m) per minute
 Feed rate (max)53 feet (16 m) per minute
 Stroke72 inch (183 cm)

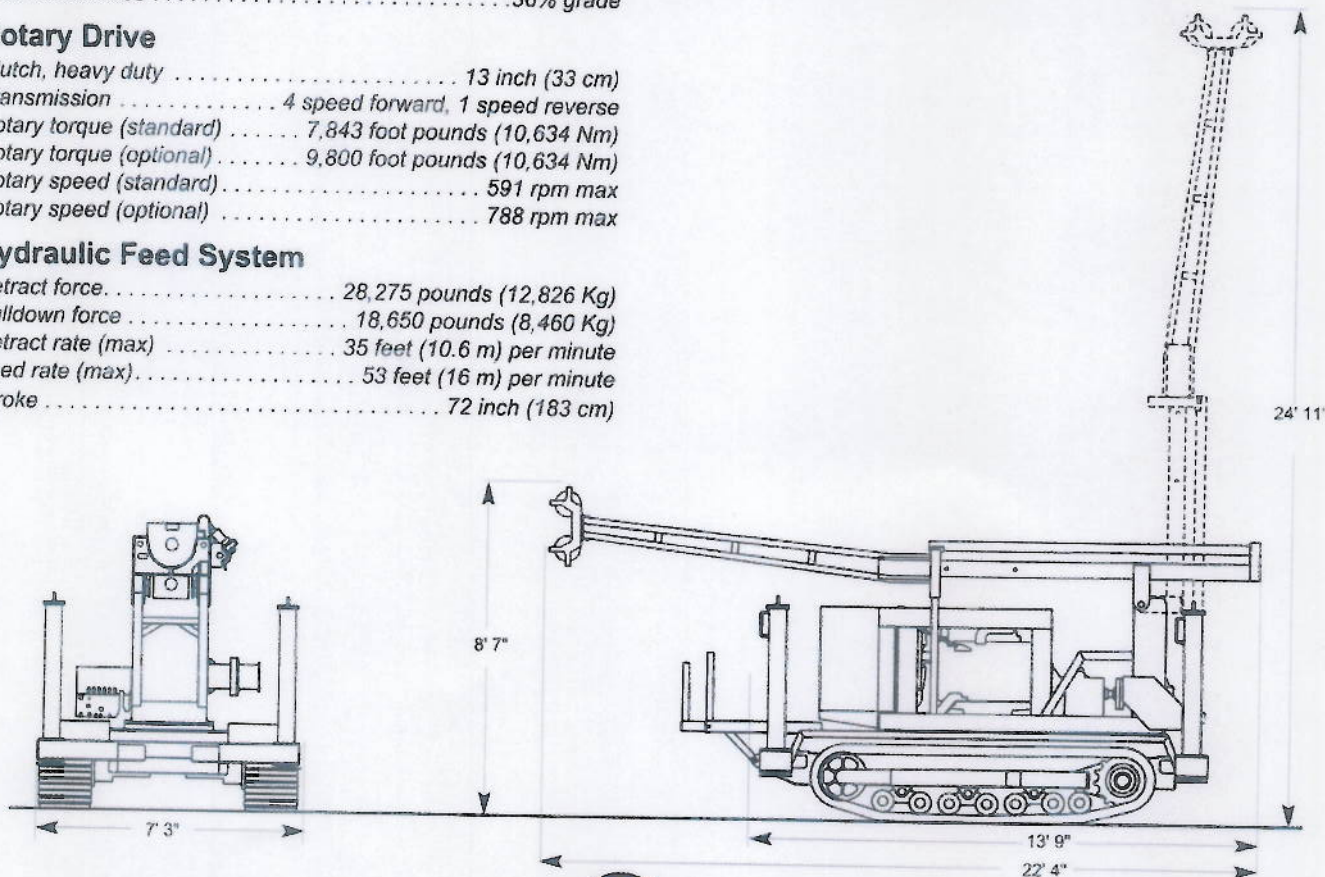
Leveling System

Four jacks, inverted design with chrome-plated piston rods enclosed at all times

Stroke36 in. (91 cm)

Weight (Approximate)

Empty15,220 lbs.(6,904 kg)



CENTRAL MINE EQUIPMENT COMPANY

4215 Rider Trail North, Earth City (St. Louis), Mo. 63045
 Phone: 314-291-7700 • 1-800-325-8827 • FAX: 314-291-4880
 E-mail: info@cmeco.com • Website: www.cmeco.com

Performance ratings are based on engineering specifications, calculations and accepted industry standards. Capacities may vary according to drilling conditions. CME reserves the right to amend these specifications at any time, without notice.
 MKT55300 101 2M 10/99